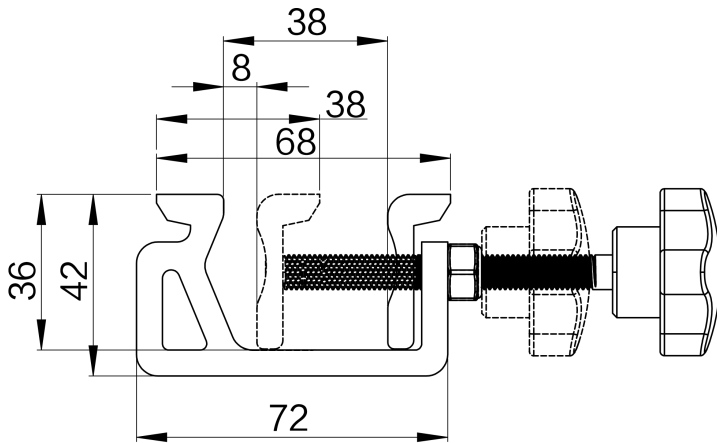


多功能医用紧固件夹  
Muti-function Medical Clamp

产品图片/ Photo



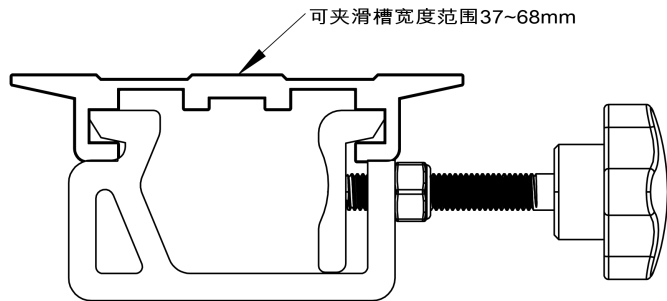
规格/Specification

|                      |   |
|----------------------|---|
| 型号/Model             | CL001-08  |
| A-轨道 1/ Channel 1    | 卡槽内宽 Channel width 37~68mm  |
| B-轨道 2/ Channel 2    | 卡槽内宽 Channel width 32~63mm  |
| C-立杆 /Pole           | 立杆直径 15~38mm  |
| 载重/ Load Max         | 5.0 Kg  |
| 材质                   | 铝合金+不锈钢 Alum+ Stainless steel   |
| 标准安装尺寸               | 30*30mm , 25mm  |
| 应用/Application       | 输液泵, 监护仪, 血压计等 Infusion pump, patient monitor, blood pressure monitor   |
| 主要优势/ Main advantage | 1- 多用途, 可同时支持安装到立杆和轨道<br>Muti-function , support both pole and channel.<br>2- 安装到立杆后设备不转动<br>Equipment will not rotate when mount to channel. |

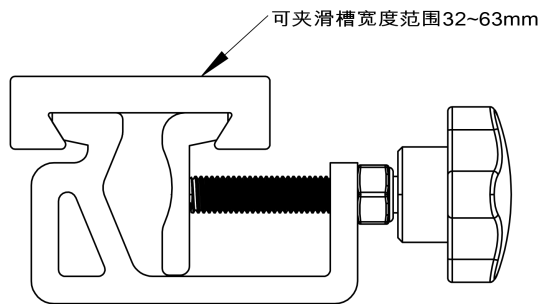
## 应用场景 / Application



A-轨道 1/ Channel 1 (37~68mm)



B-轨道 2/ Channel 2 (32~63mm)



C-立杆 / Pole (15~38mm)

